



INSTALLATION INSTRUCTIONS

Accessory
FUSE BOX MOUNT KIT
P/N 0SS26-HL6-A10

Application
**SXS1000S2X/S2R/
S4X/S4R**
After 22YM

Publication No.
MII 17811
Issue Date
June 2023

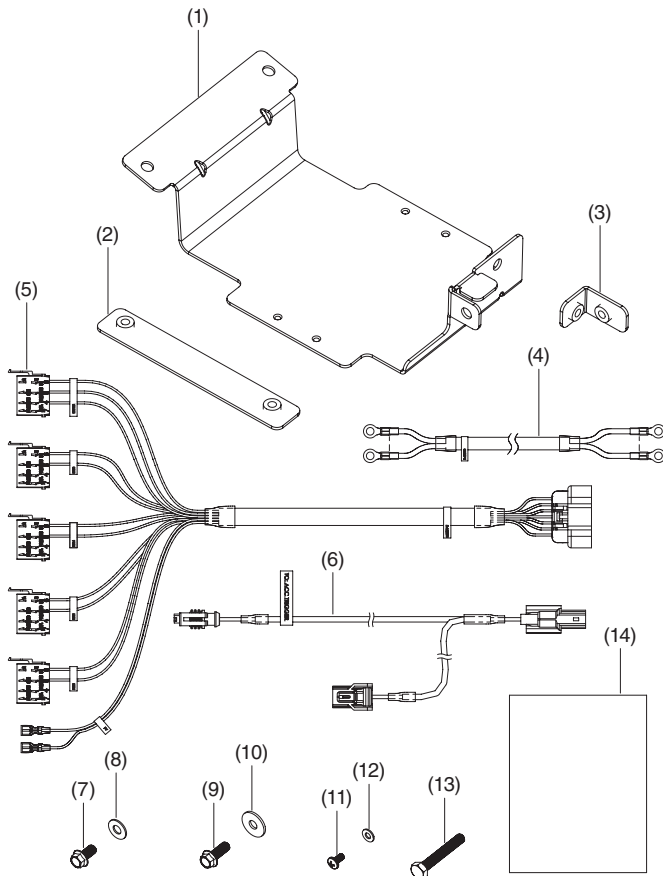
Honda Dealer: Please give a copy of these instructions to your customer.

Not Applicable For These 2023 Talon "S" Series

- SXS1000S2XS/S2RS
- SXS1000S2XDS/S2RDS
- SXS1000S4XS/S4XDS

For 2023 Talon "S" Series the FUSE BOX MOUNT KIT required is 0SS26-HL6-A00.

PARTS LIST



No.	Description	Qty
(1)	Fuse box mounting plate	1
(2)	Front under bracket	1
(3)	Passenger side L-bracket	1
(4)	Input power cable	1
(5)	Switch wiring harness	1
(6)	Accessory trigger cable	1
(7)	6 x 12 mm flange bolt	1
(8)	6 x 14 mm washer	2
(9)	6 x 16 mm flange bolt	2
(10)	6 x 18 mm washer	2
(11)	Phillips head screw	4
(12)	4 mm washer	4
(13)	6 x 40 mm bolt	1
(14)	Installation Instructions URL	1

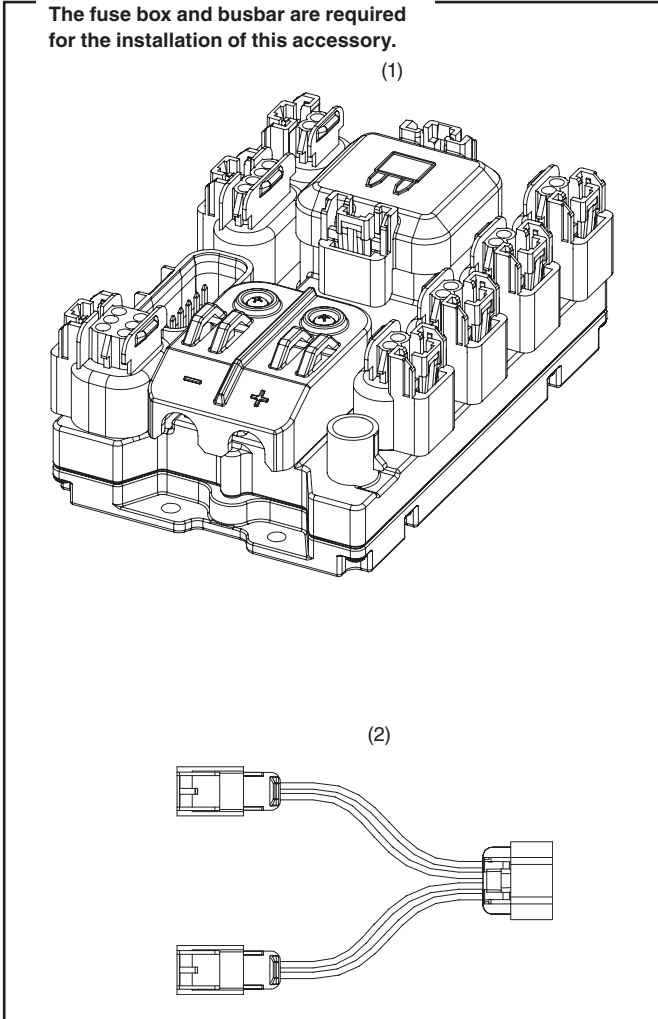
REQUIRED ACCESSORIES

The items below are required for the installation of this accessory.

Fuse box

Sold separately (P/N 0SS25-HL4-A00)

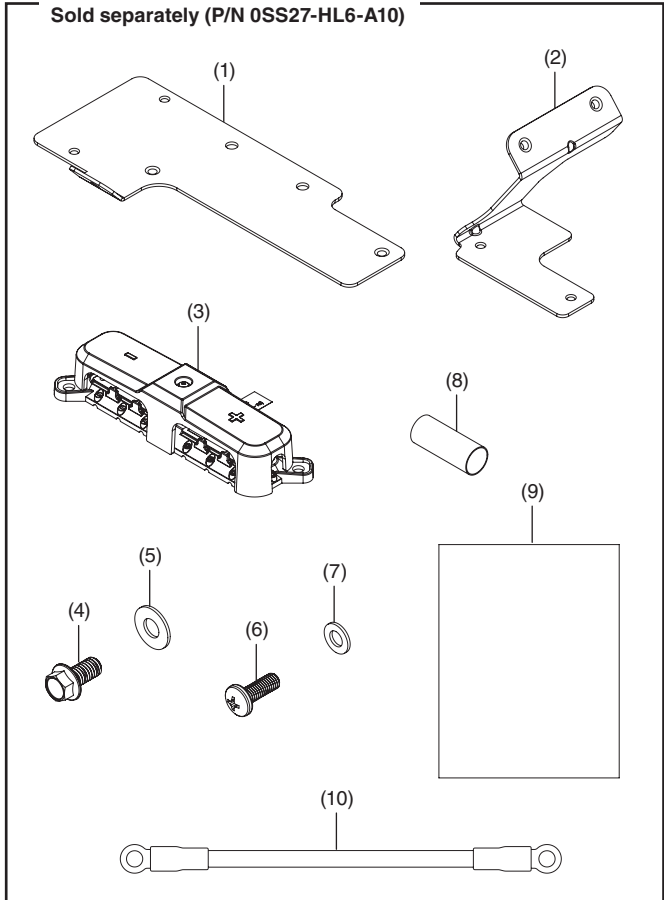
The fuse box and busbar are required for the installation of this accessory.



No.	Description	Qty
(1)	Fuse box switcher	1
(2)	Harness, 4-pin to 2-pin (Y-splitter)	1

Busbar Kit

Sold separately (P/N 0SS27-HL6-A10)



No.	Description	Qty
(1)	Main busbar mounting plate	1
(2)	Busbar lower support bracket	1
(3)	Busbar	1
(4)	6 × 12 mm flange bolt	4
(5)	6 × 14 mm washer	4
(6)	Phillips head screw	2
(7)	5 × 10 mm washer	2
(8)	Heat shrink	2
(9)	Installation Instruction URL	1
(10)	Harness, #6 AWG ground cable (28")	1

TOOLS REQUIRED

Torque wrench or driver
Socket (8 mm)
Socket (10 mm)
#1 phillips bit
#2 phillips bit

TORQUE CHART

Item	N-m	kgf-m	lbf-ft
8 mm flange bolt	7.8	0.8	5.8
Phillips head screw	2.5	0.3	2.0
6 mm terminal	12.0	1.22	9.0

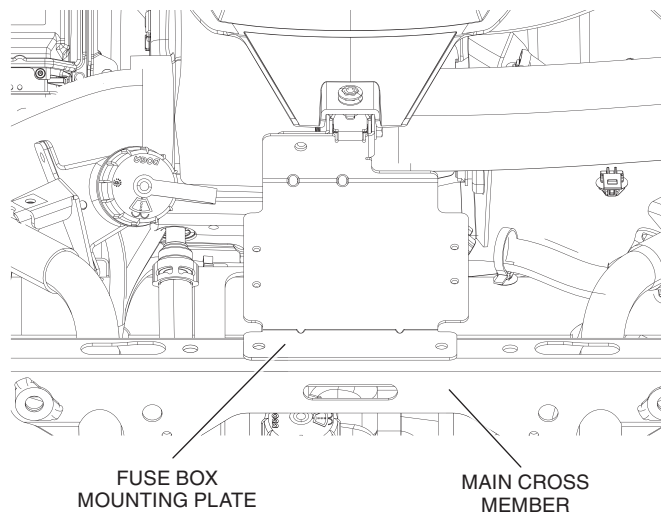
INSTALLATION

NOTE: Y-splitter included with fuse box is to be used when installing additional Honda accessories.

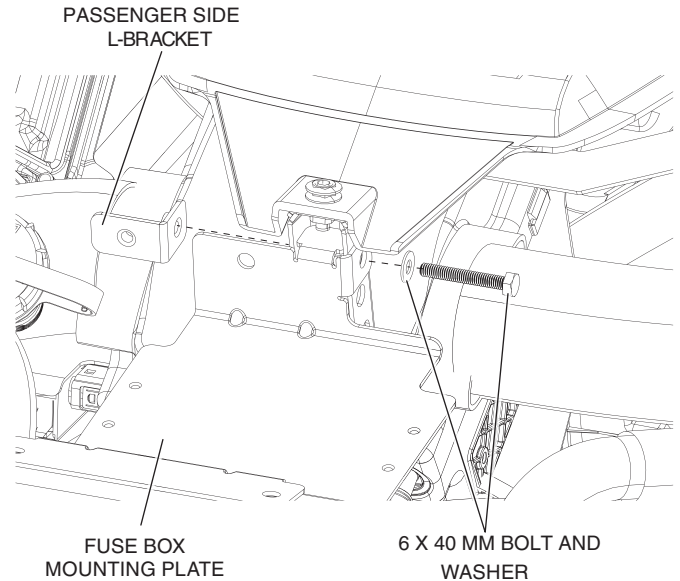
NOTE: Connector caps on the fuse box are to be installed when connection is not in use.

NOTE: Busbar P/N 0S27-HL6-A10 must already be installed before proceeding.

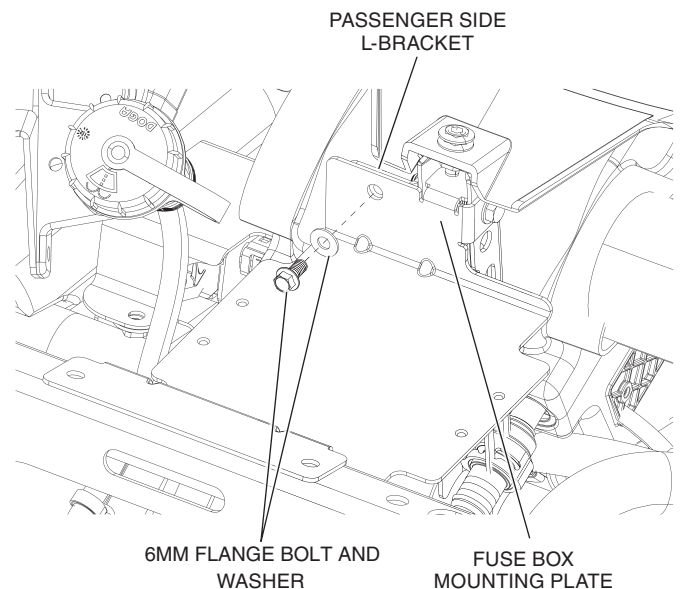
1. Install all required accessories before starting installation.
2. Refer to the vehicle service manual and remove the following parts:
 - Hood
 - Rear hood bolt
 - Rubber splash guard
 - Ground cable connection to battery
3. Rest fuse box mounting plate on top of the main cross member, above and behind the radiator.



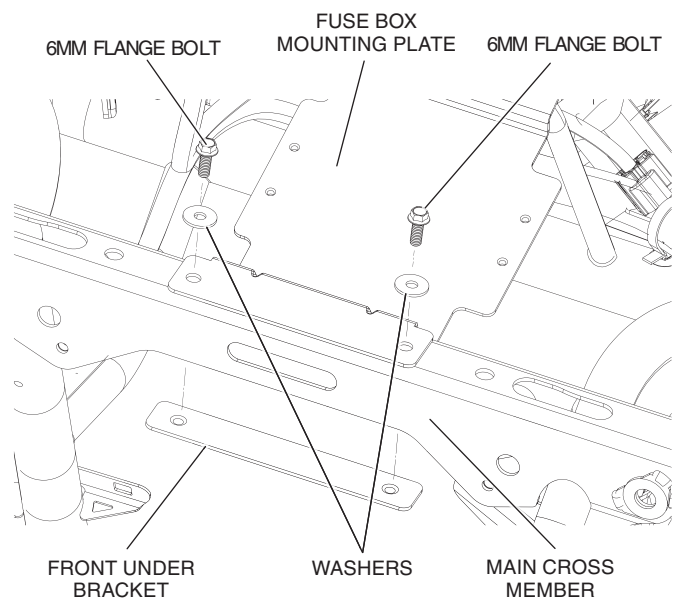
4. Slide the passenger side L-bracket through the back of the fuse box mounting plate. Install the bracket by threading the 6 × 40 mm bolt and a washer as shown. Torque to 7.8 N-m (5.8 lbf-ft.)



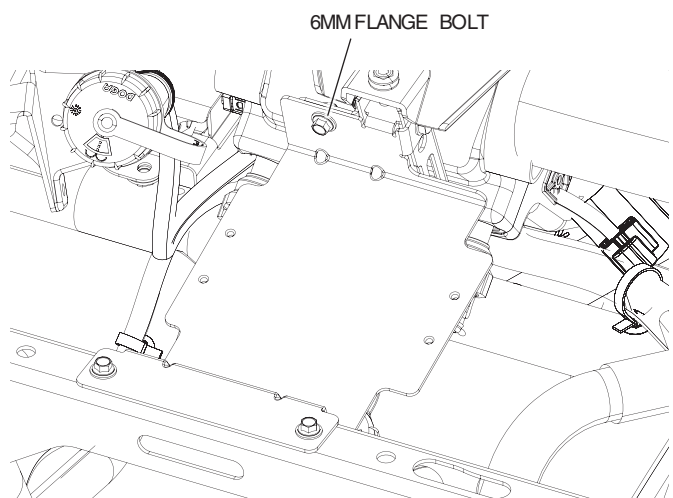
5. Thread the 6 × 12 mm flange bolt and washer through the fuse box mounting bracket and passenger side L-bracket. Leave it loosely installed for now.



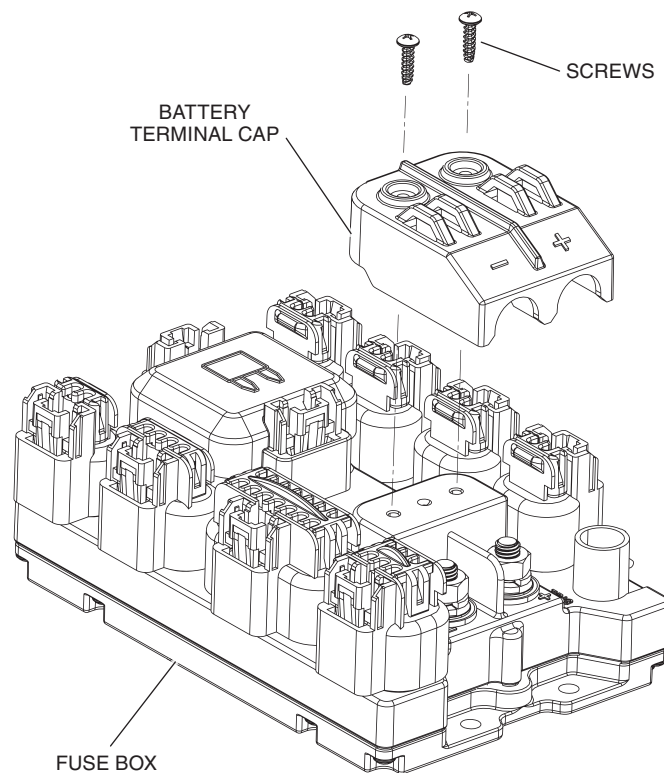
- Hold the front under bracket below the main cross member. Thread the two 6 × 16 mm flange bolts and washers through the fuse box mounting bracket, main cross member and front under bracket as shown. Torque to 7.8 N·m (5.8 lbf·ft.)



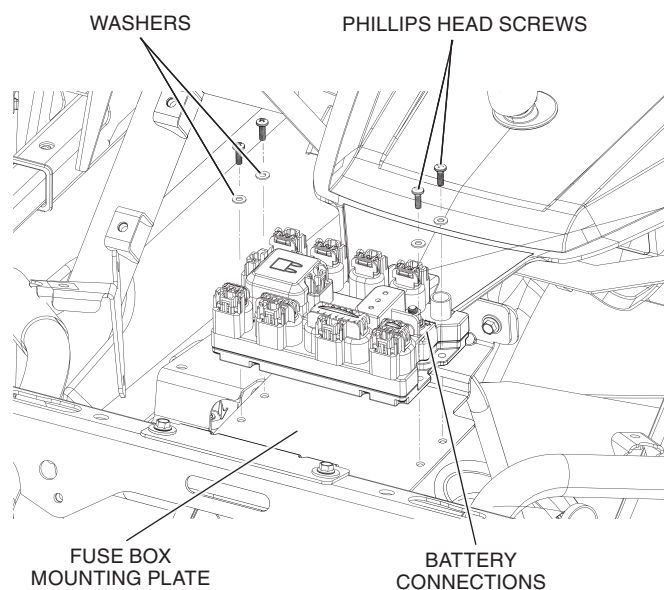
- Tighten the 6 mm flange bolt that was loosely installed in step 5. Torque to 7.8 N·m (5.8 lbf·ft.)



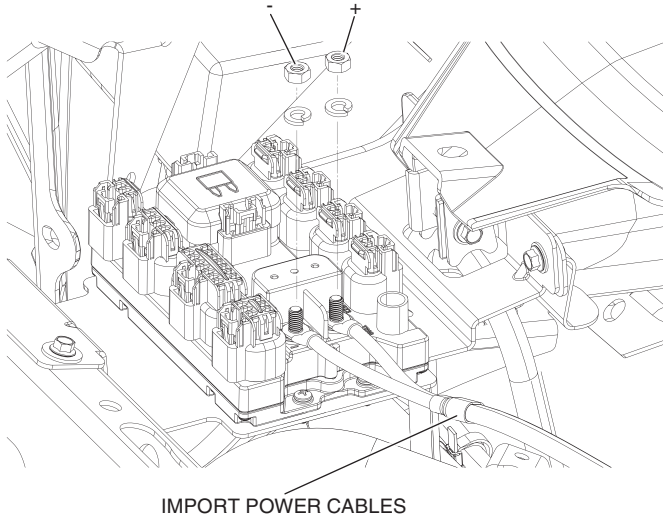
- Remove the two-fuse box battery terminal cap screws and cap. Note the polarity of each terminal on the cap for future reference.



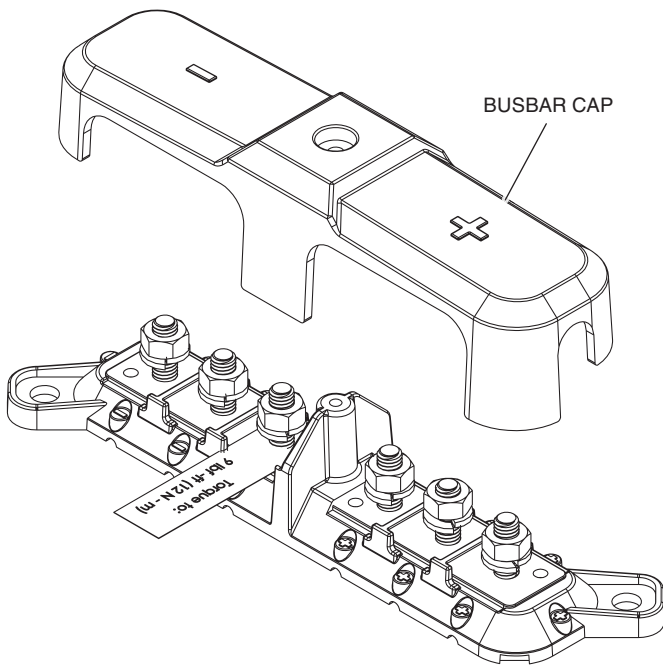
- Mount the fuse box to the fuse box mounting plate, with the battery connections facing the driver's side, using four phillips head screws and washers.



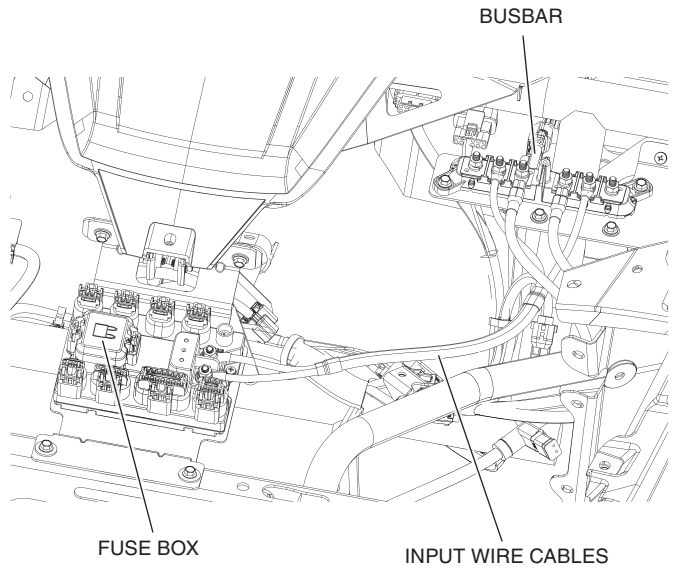
10. Attach the input power cables to the fuse box's positive and negative terminals as shown.



11. Remove the busbar cap and cap screw from the existing busbar previously installed.



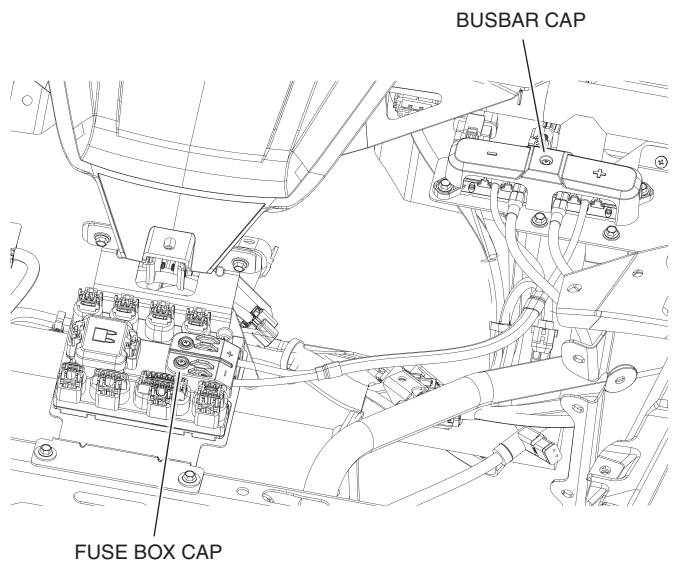
12. Route the input wire cables from the fuse box to available posts on the busbar as shown in the image. Connect positive (+) and negative (-) wire cables to the busbar as needed. Zip tie cables as needed.



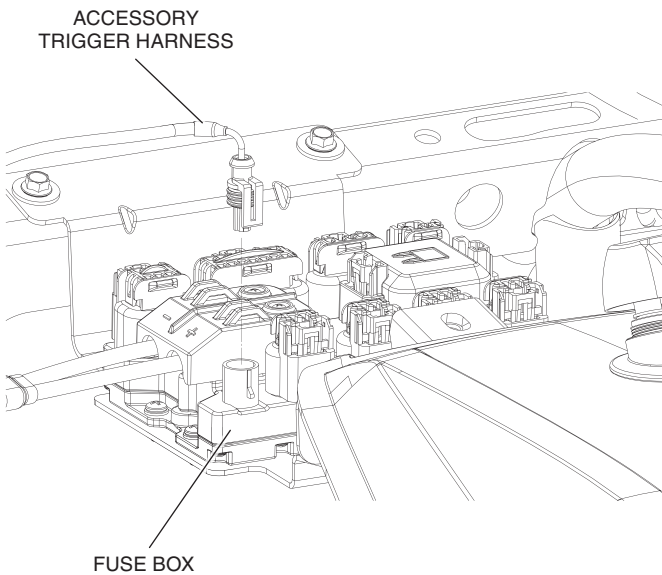
Torque nuts to 12 N·m (9 lbf·ft) .

⚠ WARNING: Do not exceed the recommended torque specs or damage to the busbar module can occur.

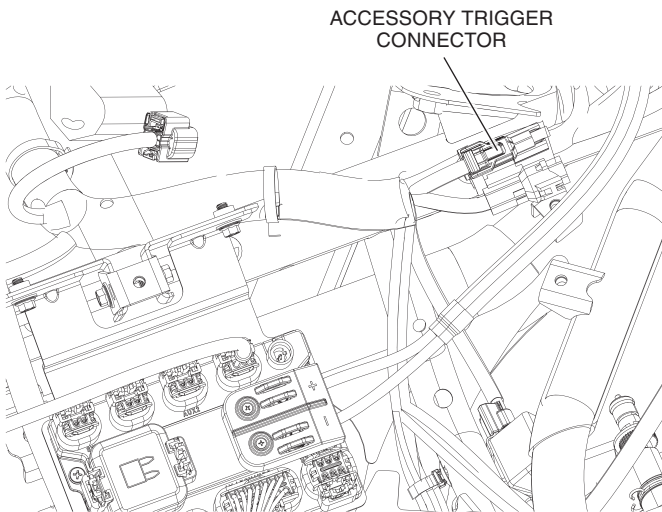
13. Re-attach both the busbar and the fuse box caps.



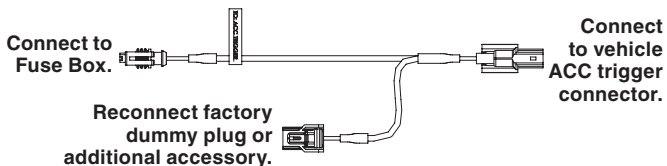
14. Connect the accessory trigger harness to the fuse box and route along the power wires to the factory accessory plug location.



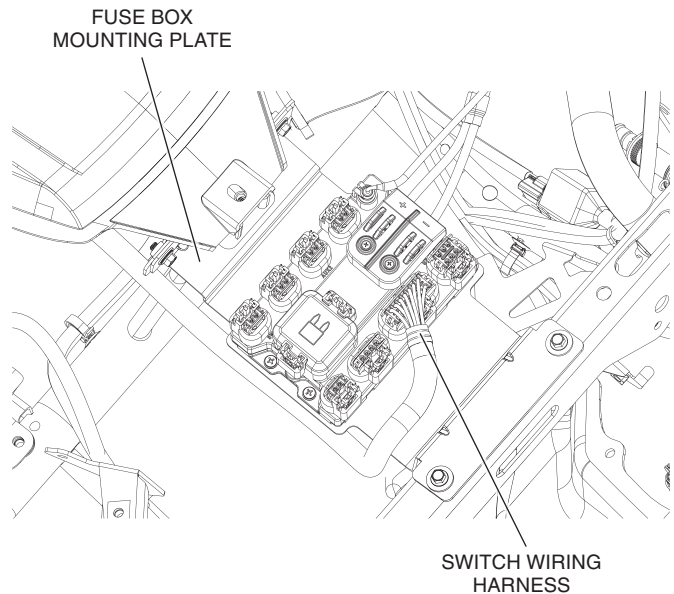
15. Route the accessory trigger harness to the accessory trigger connector located near the instrument panel wrapped in blue tape.



16. Connect the accessory trigger harness to the accessory trigger connector. Reconnect factory dummy plug or additional accessory if equipped as shown in diagram. Zip tie as needed.



17. Connect the switch wiring harness to the fuse box and route it around the passenger side of the fuse box mounting plate towards the switch location in the dash. Zip tie as needed.

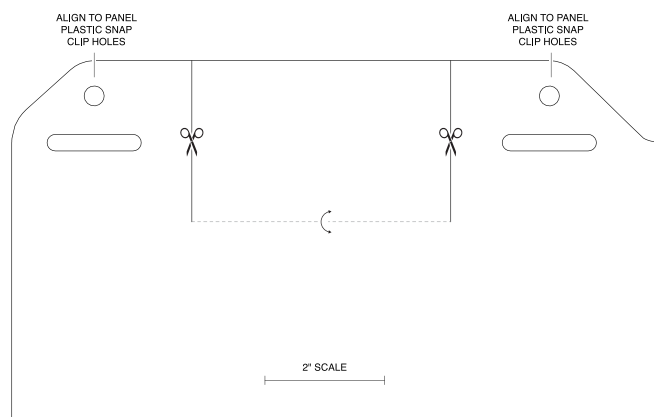


18. Connect the opposing side of this harness to the corresponding switches.

NOTE: Switches are provided with each Honda accessory. Installation instructions are available with each specific accessory purchased.

19. Take the rubber splash guard removed in step 1 and use the supplied template to modify it as shown below.

CUT LINE TEMPLATE: HL6 RUBBER SPLASH PROTECTOR

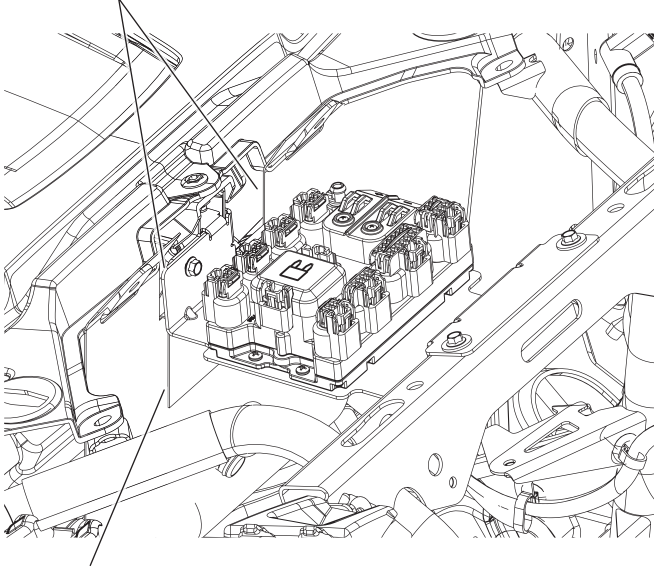


20. Refer to the vehicle service manual and reinstall the following part:

- Rubber splash guard

21. Reinstalled Splash guard should look as shown.

RUBBER SPLASH
GUARD CUT LINE



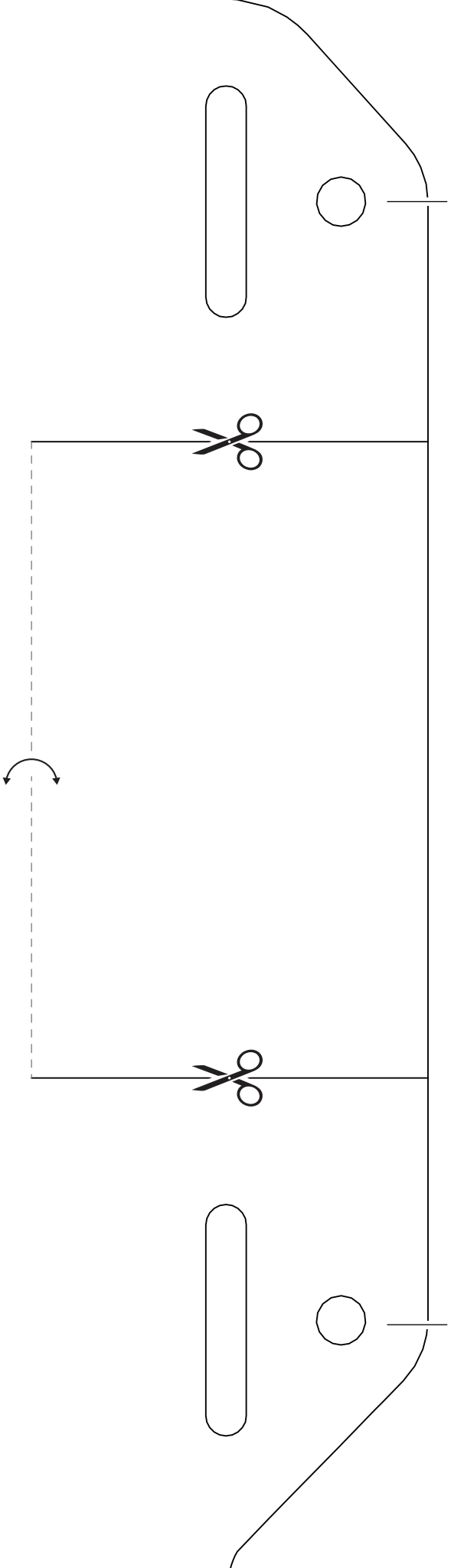
RUBBER SPLASH GUARD
FLAP FOLDED OVER

22. Refer to the vehicle service manual and reinstall the following parts:

- Hood
- Rear hood bolt
- Ground cable connection to battery

CUT LINE TEMPLATE: HLG6 RUBBER SPLASH PROTECTOR

ALIGN TO PANEL
PLASTIC SNAP
CLIP HOLES



ALIGN TO PANEL
PLASTIC SNAP
CLIP HOLES

2" SCALE

